



Bulletin 1973-1
May 1973

FPM-300 HUM REDUCTION

The modifications outlined in this bulletin will provide substantial reduction in the hum level of the FPM-300 Transceiver. Follow the steps listed below in order to perform the required modifications:

1. Remove the transceiver chassis from the cabinet.
2. Connect a 4.7 k ohm, 10%, 1/8 W resistor across the receive audio potentiometer (R101). Refer to figure 1 for schematic diagram.

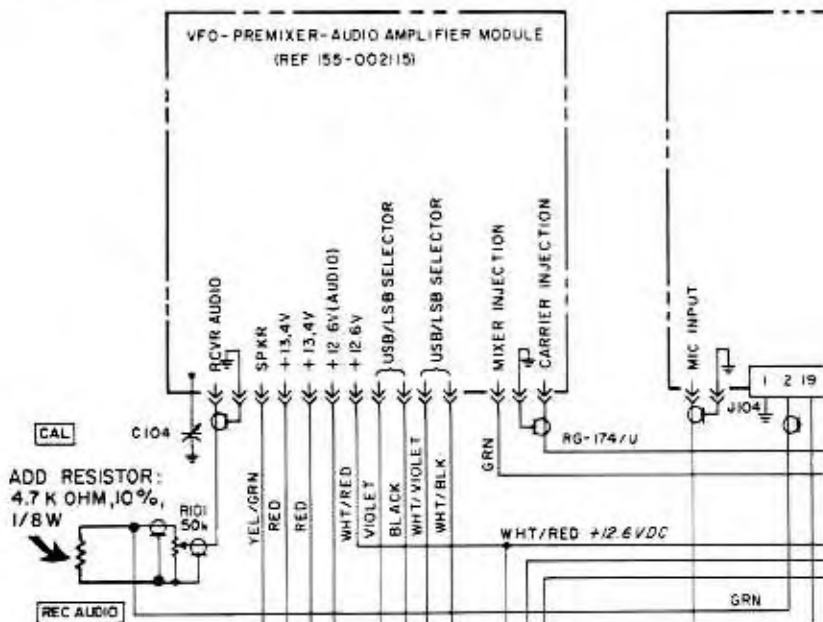


Figure 1. Partial Schematic Diagram of FPM-300.

Remove the microphone jack (J103) and the headphone jack (J101) from the chassis to facilitate removal of the Power Supply PC Board.

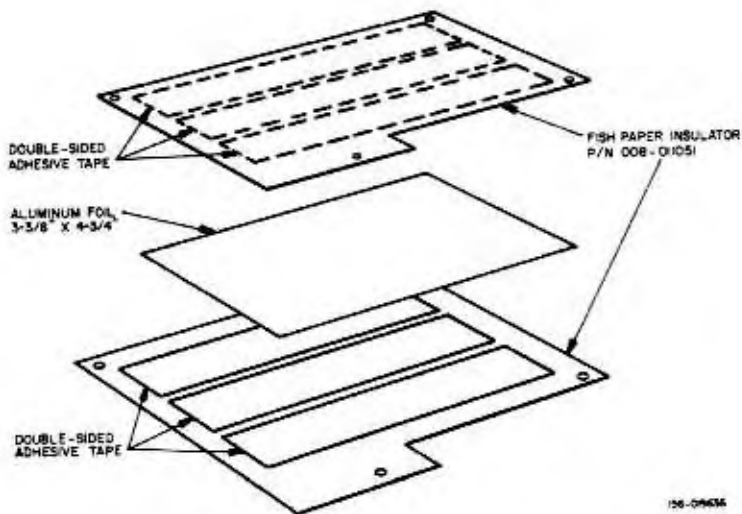
Disconnect the blue wire and the white/green wire from the Power Supply PC Board. (Note the location of these leads for reconnection.)

Remove the retaining screws which hold the Power Supply PC Board.

Carefully remove the Power Supply PC Board from the chassis and fold aside.

Remove the fish paper insulator which separates the Power Supply PC Board and the VFO/Pre-mixer/Audio Amplifier PC Board.

Using double-sided adhesive tape, position a piece of aluminum foil between the above mentioned insulator and a second piece of fish paper as shown in figure 2.



106-04635

Figure 2. Assembly of Aluminum Foil to Fish Paper Insulator.

9. Use a small modeler's knife to break the foil on the VFO/Pre-mixer/
Audio Amplifier PC Board at the audio input as shown in figure 3.

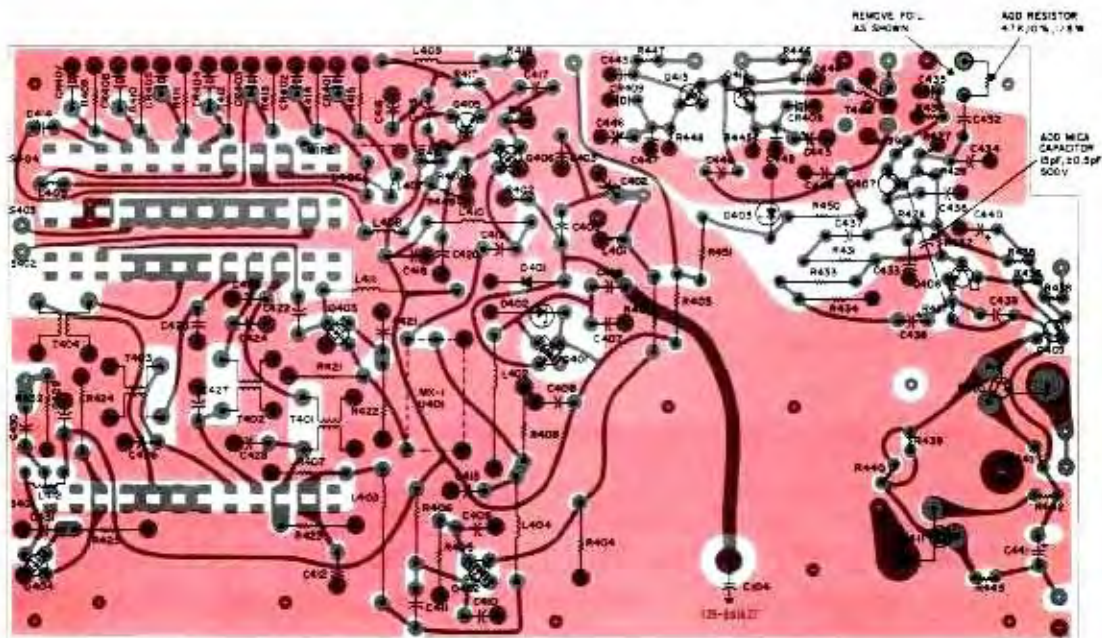


Figure 3. Component Layout on VFO/Pre-mixer/Audio Amplifier PC Board.

10. Install a 4.7 k ohm, 10%, 1/8 W resistor across the open foil as shown in figures 3 and 4.
11. Install a 15 pF, ± 0.5 pF, 500 V, mica capacitor as shown in figures 3 and 4. Use sleeving on both leads to prevent shorting.
12. Reinstall the fish paper insulator and the Power Supply PC Board.
13. Reconnect the blue wire and the white/green wire.
14. Reinstall the microphone and headphone jacks.
15. Reinstall the transceiver in the cabinet.

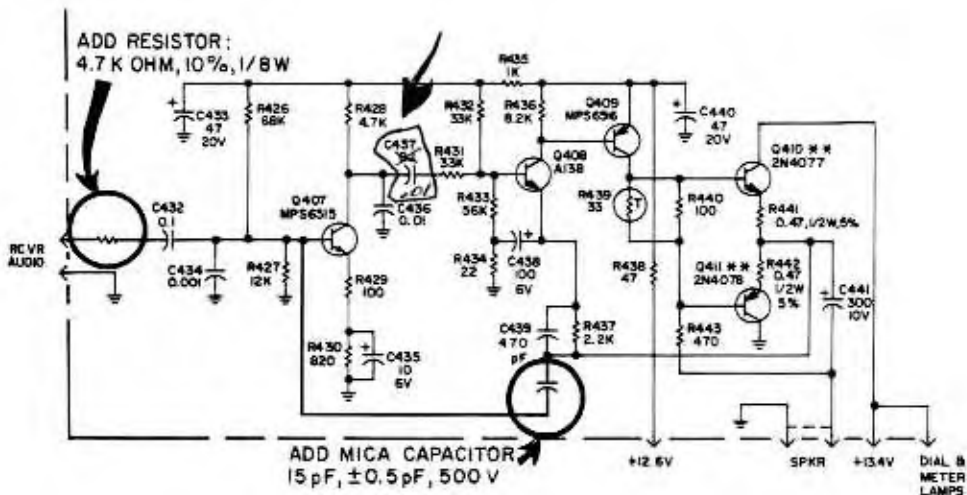


Figure 4. Partial Schematic Diagram of VFO/Pre-Mixer/Audio Amplifier PC Board.

In addition to the changed noted, C437 should be changed from .1uf to .01uf as shown on figure 4 of the bulletin.

K4XL's **BAMA**

This manual is provided **FREE OF CHARGE** from the "BoatAnchor Manual Archive" as a service to the Boatanchor community.

It was uploaded by someone who wanted to help you repair and maintain your equipment.

If you paid anyone other than BAMA for this manual, you paid someone who is making a profit from the free labor of others without asking their permission.

You may pass on copies of this manual to anyone who needs it. But do it without charge.

Thousands of files are available without charge from BAMA. Visit us at <http://bama.sbc.edu>